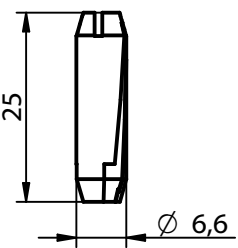
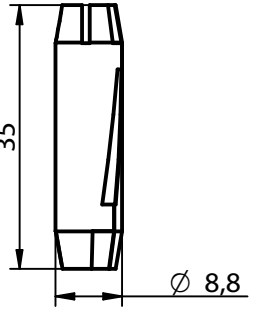
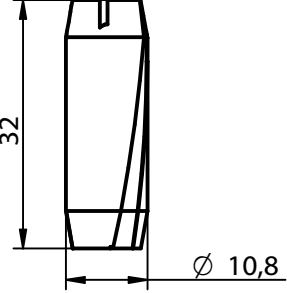
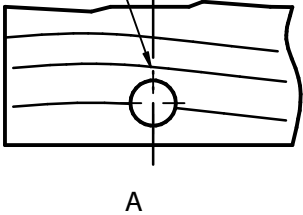
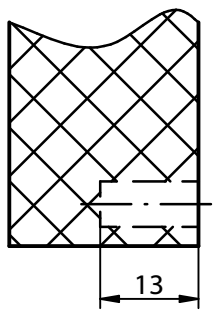
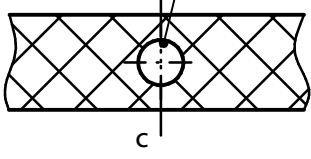
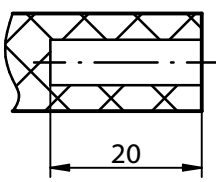
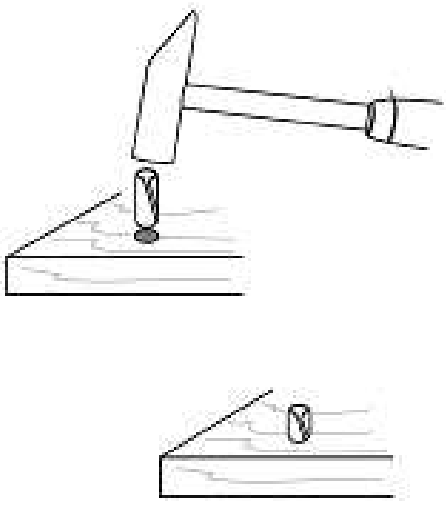
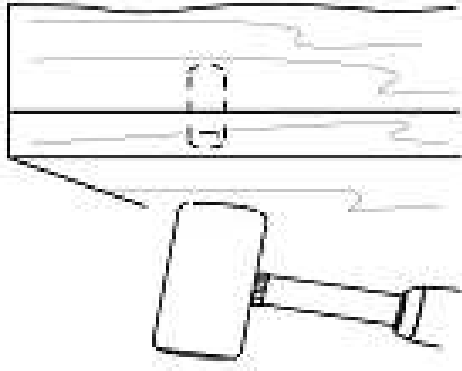
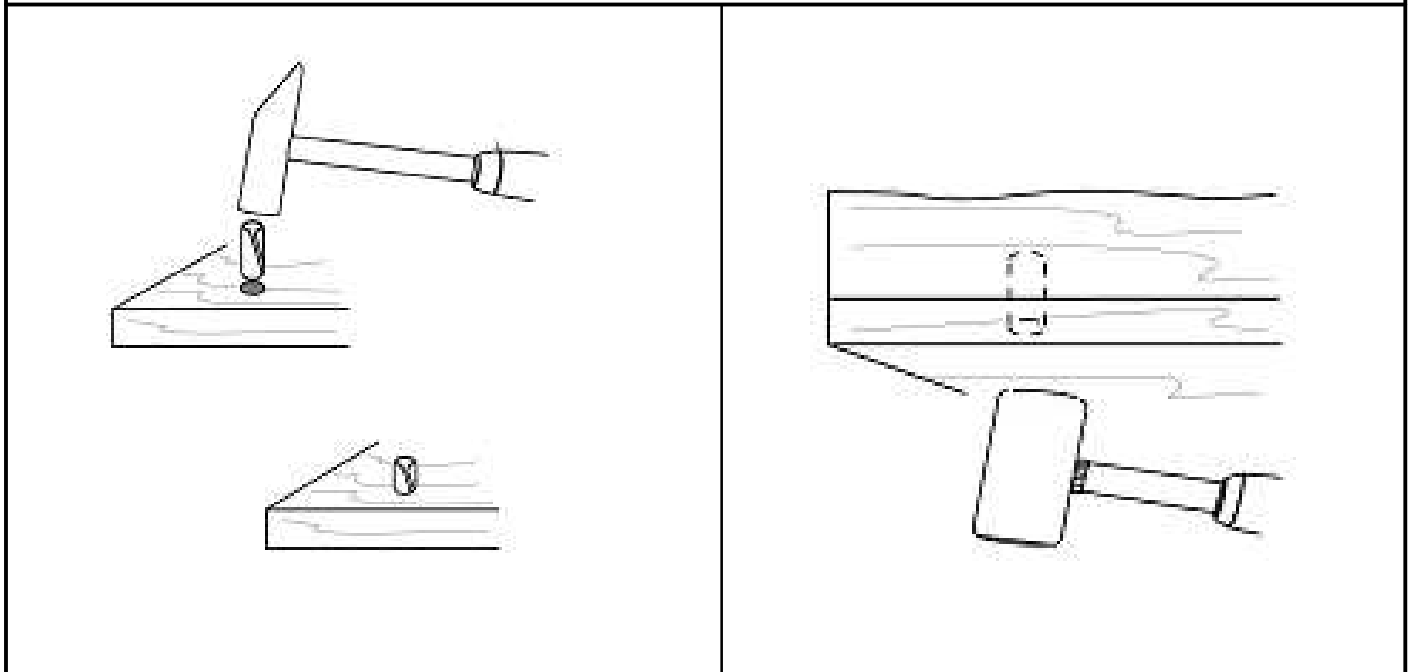
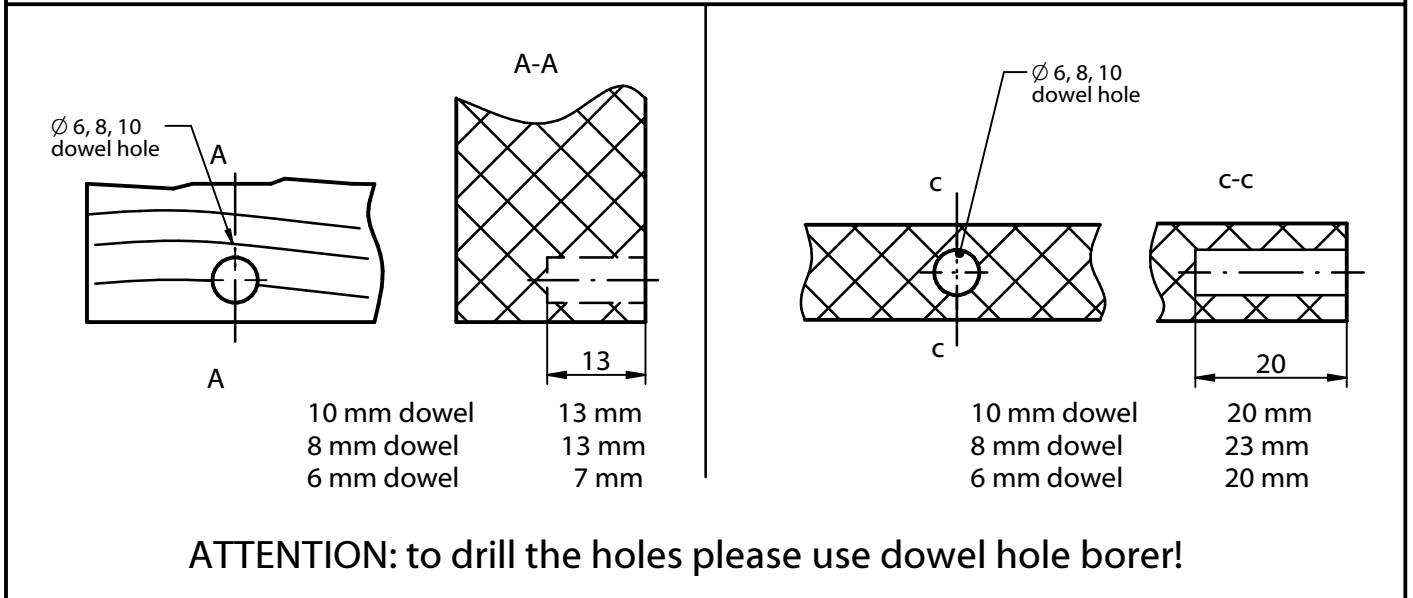
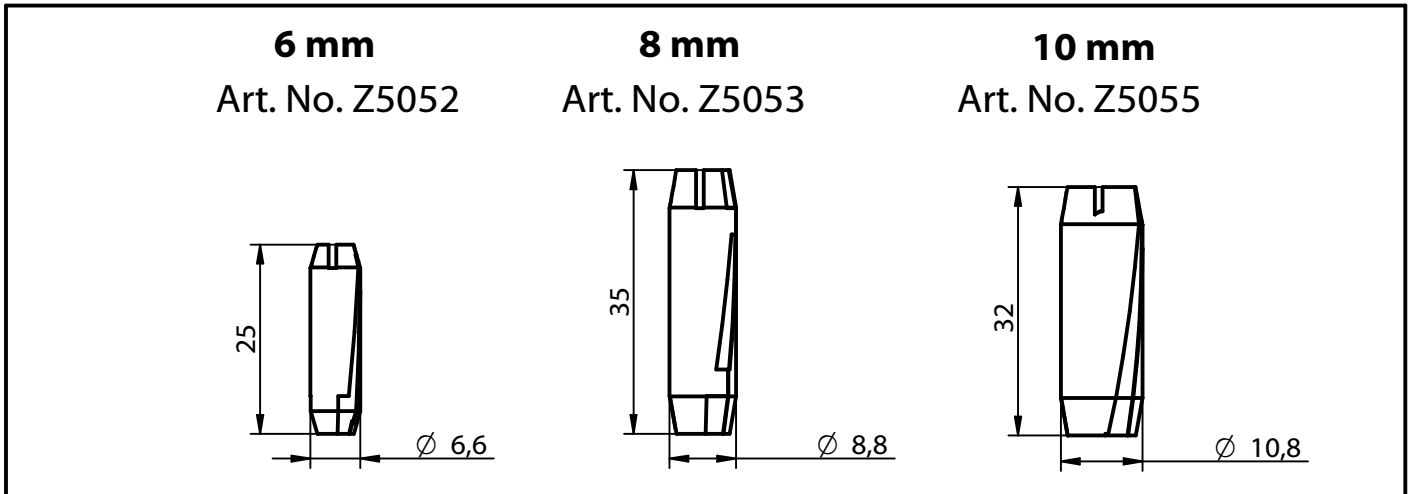


6 mm Art. Nr. Z5052	8 mm Art. Nr. Z5053	10 mm Art. Nr. Z5055													
															
<div style="display: flex; justify-content: space-around;"> <div style="text-align: center;"> <p>Ø 6, 8, 10 Dübelbohrung</p>  <p>A</p> </div> <div style="text-align: center;"> <p>A-A</p>  <p>13</p> </div> </div> <table style="margin-left: auto; margin-right: auto; border: none;"> <tr> <td style="padding: 0 10px;">10 mm Dübel</td> <td style="padding: 0 10px;">13 mm</td> </tr> <tr> <td style="padding: 0 10px;">8 mm Dübel</td> <td style="padding: 0 10px;">13 mm</td> </tr> <tr> <td style="padding: 0 10px;">6 mm Dübel</td> <td style="padding: 0 10px;">7 mm</td> </tr> </table>		10 mm Dübel	13 mm	8 mm Dübel	13 mm	6 mm Dübel	7 mm	<div style="display: flex; justify-content: space-around;"> <div style="text-align: center;"> <p>Ø 6, 8, 10 Dübelbohrung</p>  <p>c</p> </div> <div style="text-align: center;"> <p>C-C</p>  <p>20</p> </div> </div> <table style="margin-left: auto; margin-right: auto; border: none;"> <tr> <td style="padding: 0 10px;">10 mm Dübel</td> <td style="padding: 0 10px;">20 mm</td> </tr> <tr> <td style="padding: 0 10px;">8 mm Dübel</td> <td style="padding: 0 10px;">23 mm</td> </tr> <tr> <td style="padding: 0 10px;">6 mm Dübel</td> <td style="padding: 0 10px;">20 mm</td> </tr> </table>		10 mm Dübel	20 mm	8 mm Dübel	23 mm	6 mm Dübel	20 mm
10 mm Dübel	13 mm														
8 mm Dübel	13 mm														
6 mm Dübel	7 mm														
10 mm Dübel	20 mm														
8 mm Dübel	23 mm														
6 mm Dübel	20 mm														
<p>HINWEIS: Zum Bohren der Löcher DÜBELBOHRER verwenden!</p>															
															

TUCK

Dowel connector

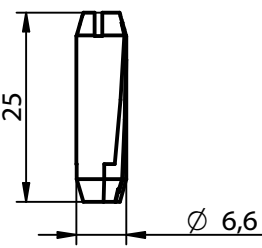
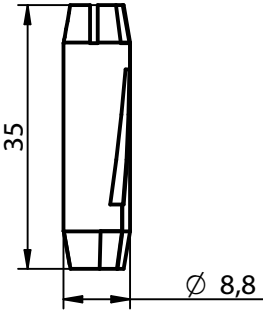
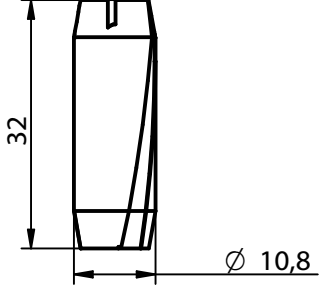
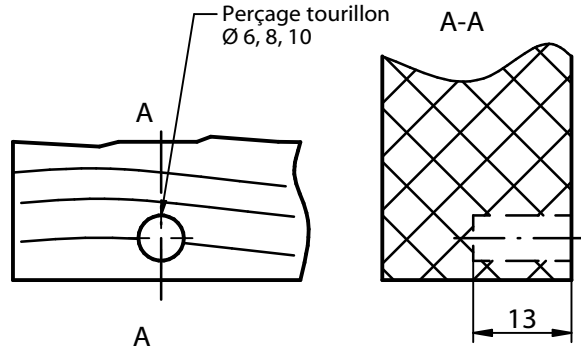
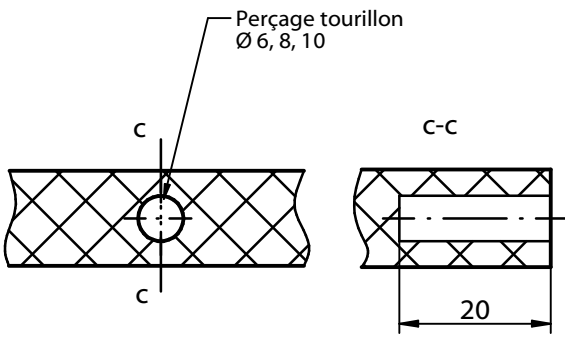


This drawing is the exclusive property of Knapp GmbH.

©Knapp GmbH. All measures in mm - Errors excepted. VERSION02 08.09.2014

TUCK

Système tourillon

6 mm Réf. Z5052	8 mm Réf. Z5053	10 mm Réf. Z5055													
															
 <table style="margin-left: auto; margin-right: auto;"> <tr> <td style="padding: 0 10px;">10 mm tourillon</td> <td style="padding: 0 10px;">13 mm</td> </tr> <tr> <td style="padding: 0 10px;">8 mm tourillon</td> <td style="padding: 0 10px;">13 mm</td> </tr> <tr> <td style="padding: 0 10px;">6 mm tourillon</td> <td style="padding: 0 10px;">7 mm</td> </tr> </table>		10 mm tourillon	13 mm	8 mm tourillon	13 mm	6 mm tourillon	7 mm	 <table style="margin-left: auto; margin-right: auto;"> <tr> <td style="padding: 0 10px;">10 mm tourillon</td> <td style="padding: 0 10px;">20 mm</td> </tr> <tr> <td style="padding: 0 10px;">8 mm tourillon</td> <td style="padding: 0 10px;">23 mm</td> </tr> <tr> <td style="padding: 0 10px;">6 mm tourillon</td> <td style="padding: 0 10px;">20 mm</td> </tr> </table>		10 mm tourillon	20 mm	8 mm tourillon	23 mm	6 mm tourillon	20 mm
10 mm tourillon	13 mm														
8 mm tourillon	13 mm														
6 mm tourillon	7 mm														
10 mm tourillon	20 mm														
8 mm tourillon	23 mm														
6 mm tourillon	20 mm														
<p>CONSEIL : il est préférable d'utiliser des mèches spéciales tourillon!</p>															
