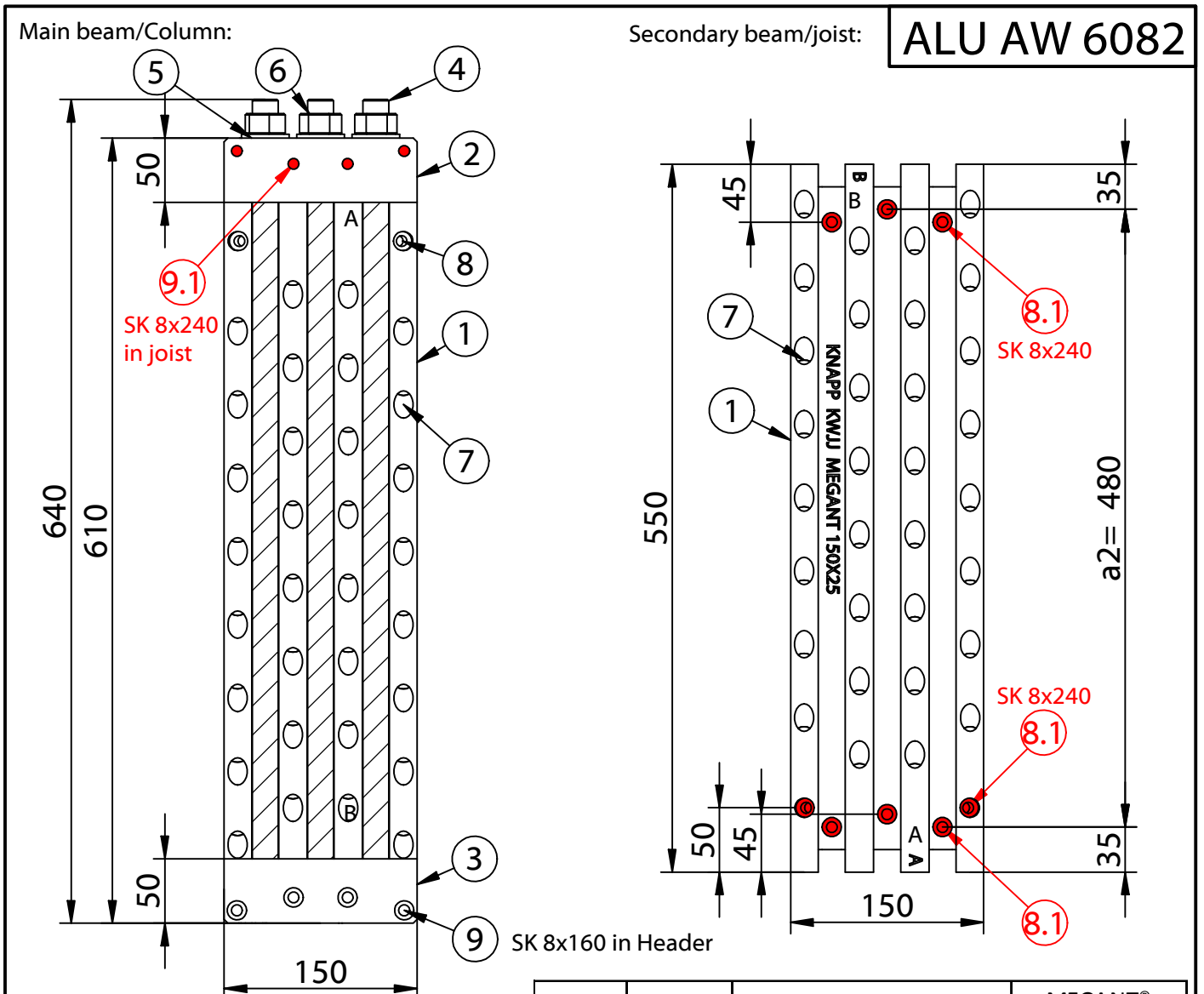


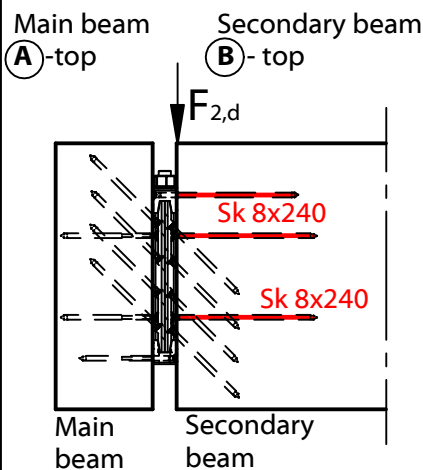
Mounting instructions

MEGANT® 610x150x50

Overview customized sizes - only request



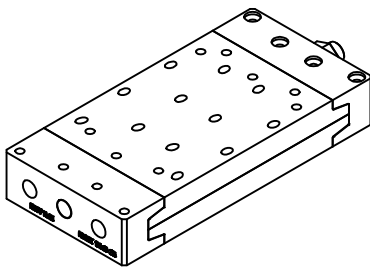
Connector plate specs



Pos No.	Art. No.	Part decription	MEGANT®
			610x150x50
			customized size
1	K197-221	Connector plates	550x150x25
2		Clamping jaws top	50x50x150; D20
3		Clamping jaws bottom	50x50x150; M20
4		Threaded rod	3xM20x640
5		Washer	3xM20
6		Nut	3xM20
7	Z581	Inclines screws	64x SK8x160
8	Z581	Horizontal screws	8x SK8x160
8.1	Z672	Horizontal screws	8x SK8x240
9	Z581	Screws clamping jaw	4x SK8x160
9.1	Z672	Screws clamping jaw	4 SK 8x240

This drawing is the exclusive property of Knapp GmbH

Knapp GmbH. All measures in mm - Errors excepted. VERSION 3 27. 08. 2018



Mounting instructions

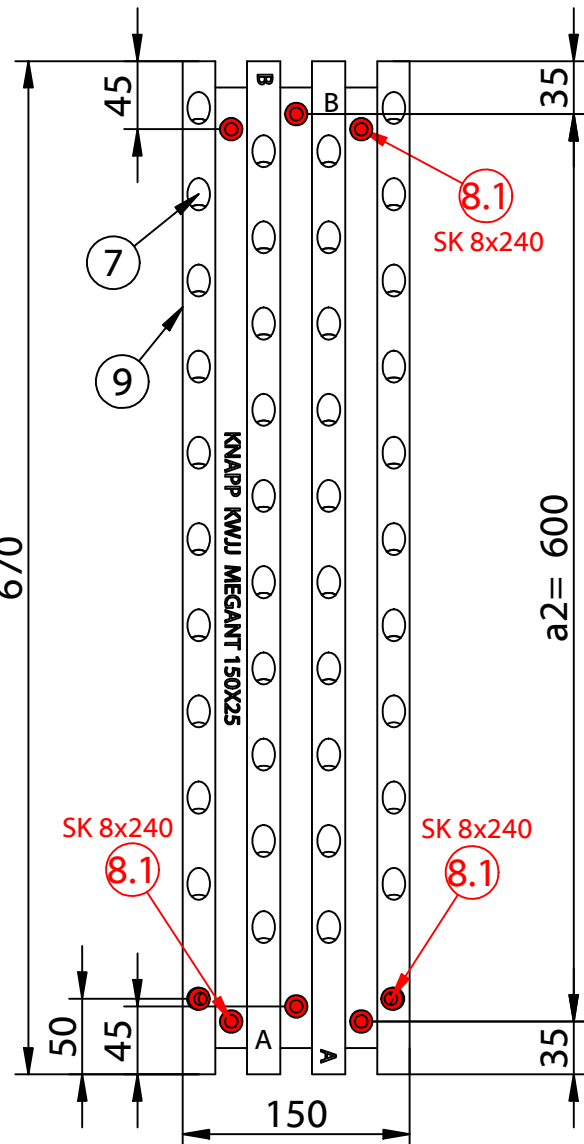
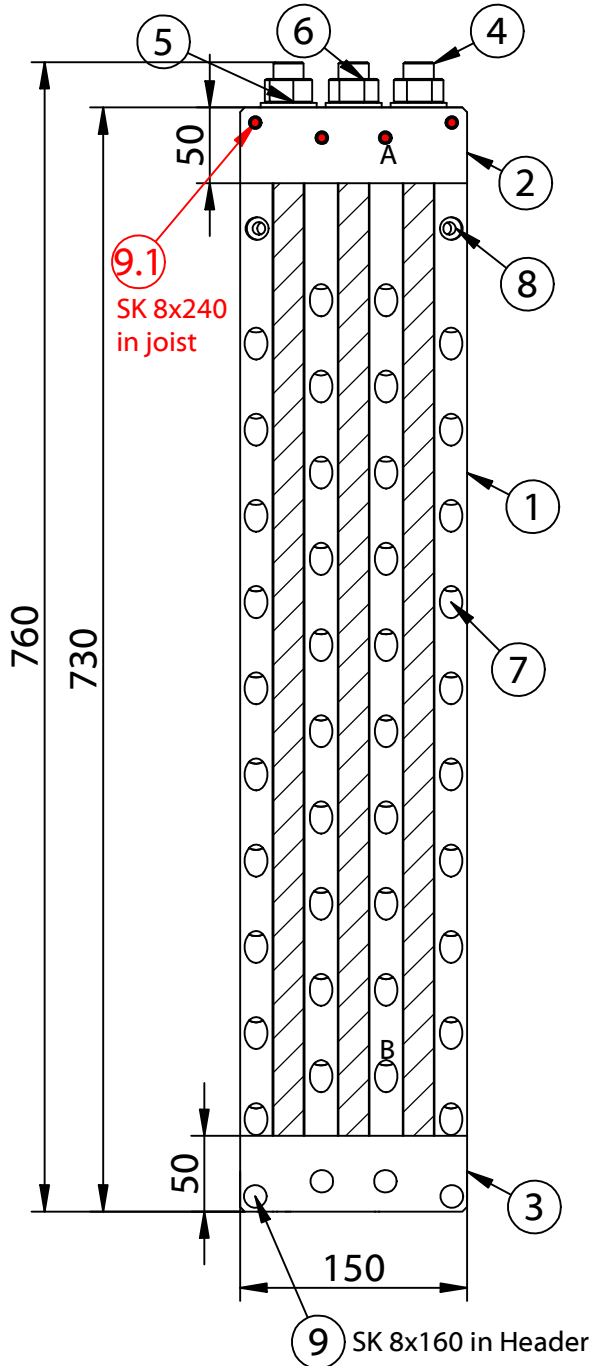
MEGANT® 730x150x50

Regular size overview

Main beam/Column:

Secondary beam/joist:

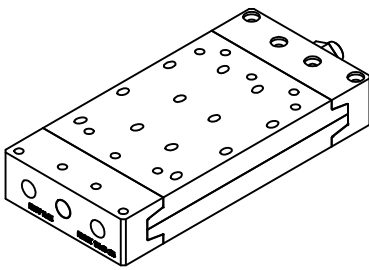
ALU AW 6082



Pos No.	Art. No.	Part description	MEGANT®
			730x150x50 Art. No. K251
1	K197-221	Connector plates	670x150x25
2		Clamping jaws top	50x50x150; D20
3		Clamping jaws bottom	50x50x150; M20
4		Threaded rod	3xM20x760
5		Washer	3xM20
6		Nut	3xM20
7	Z581	Inclines screws	80x SK8x160
8	Z581	Horizontal screws	8x SK8x160
8.1	Z672	Horizontal screws	8x SK8x240
9	Z581	Screws clamping jaw	4x SK8x160
9.1	Z672	Screws clamping jaw	4 SK 8x240

This drawing is the exclusive property of Knapp GmbH

Knapp GmbH. All measures in mm - Errors excepted. VERSION 3 27.08.2018



MEGANT® 790x150x50

Overview customized sizes - only request

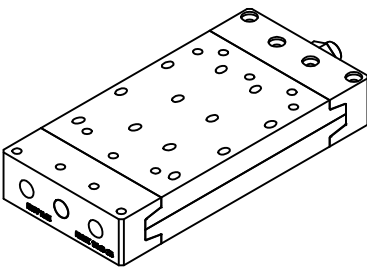
Main beam/Column:

Secondary beam/joist: **ALU AW 6082**

Pos No.	Art. No.	Part description	MEGANT®
			790x150x50 customized size
1	K197-221	Connector plates	730x150x25
2		Clamping jaws top	50x50x150; D20
3		Clamping jaws bottom	50x50x150; M20
4		Threaded rod	3xM20x820
5		Washer	3xM20
6		Nut	3xM20
7	Z581	Inclines screws	88x SK8x160
8	Z581	Horizontal screws	8x SK8x160
8.1	Z672	Horizontal screws	8x SK8x240
9	Z581	Screws clamping jaw	4x SK8x160
9.1	Z672	Screws clamping jaw	4 SK 8x240

This drawing is the exclusive property of Knapp GmbH

Knapp GmbH. All measures in mm - Errors excepted. VERSION 3 27.08.2018



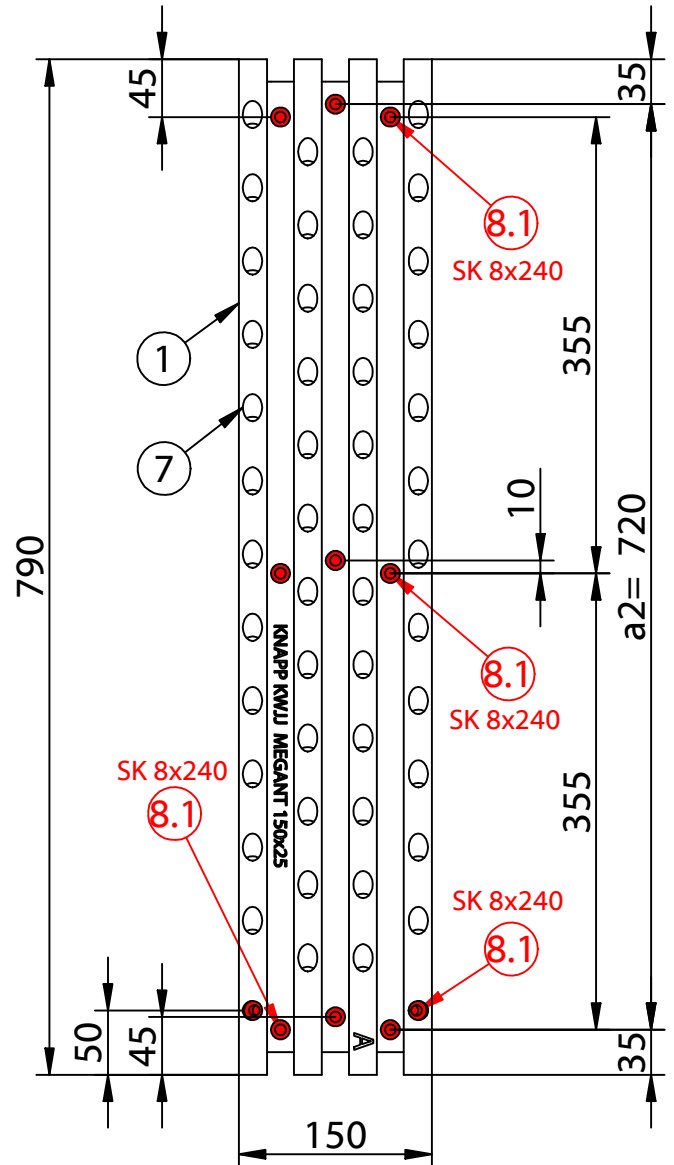
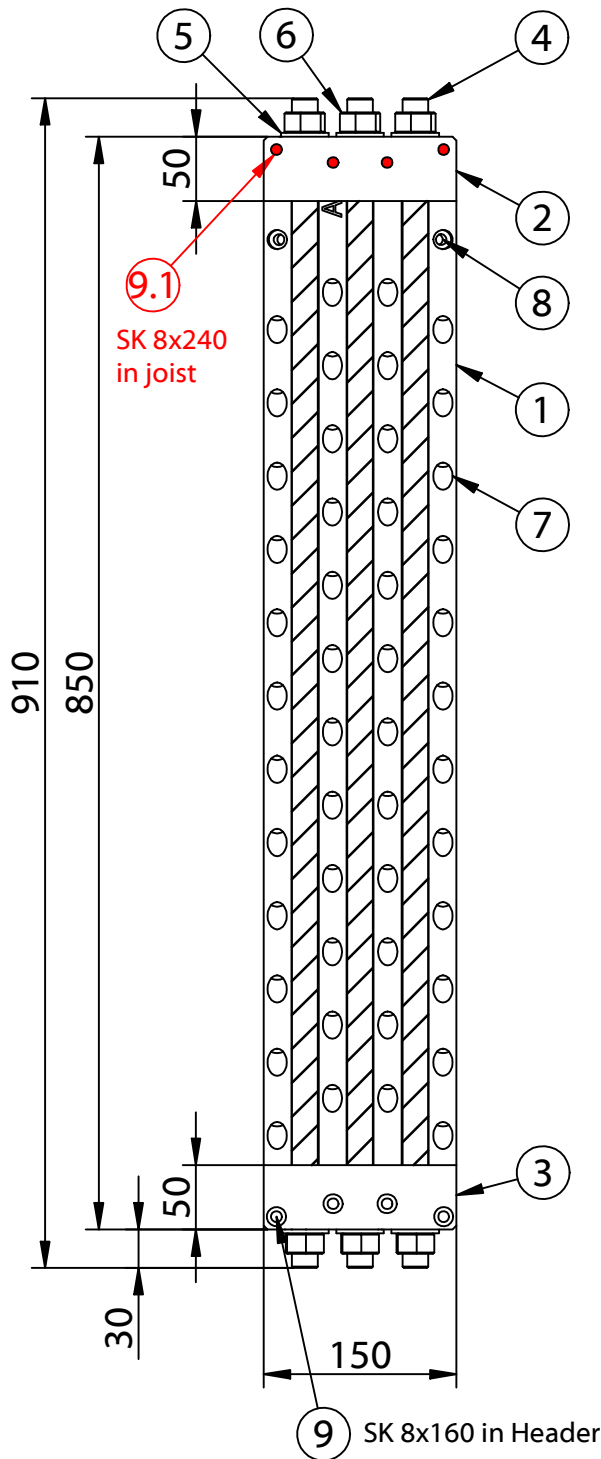
MEGANT® 850x150x50

Overview customized sizes - only request

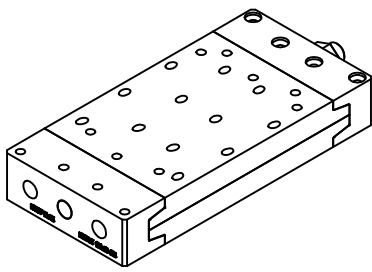
Main beam/Column:

Secondary beam/joist:

ALU AW 6082



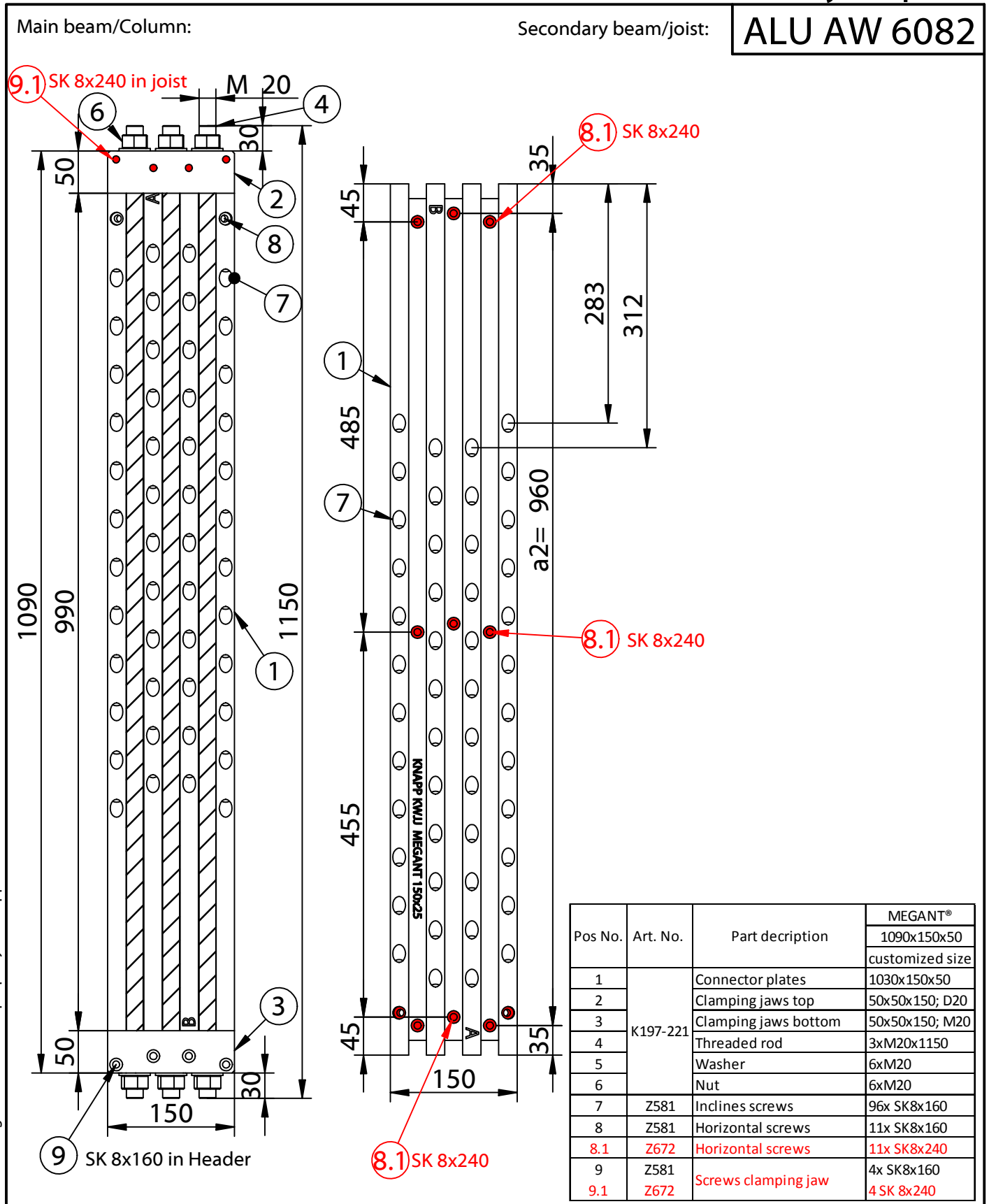
Pos No.	Art. No.	Part description	MEGANT®
			850x150x50 customized size
1	K197-221	Connector plates	790x150x26
2		Clamping jaws top	50x50x150; D20
3		Clamping jaws bottom	50x50x150; M20
4		Threaded rod	3xM20x910
5		Washer	6xM20
6		Nut	6xM20
7	Z581	Inclines screws	96x SK8x160
8	Z581	Horizontal screws	11x SK8x160
8.1	Z672	Horizontal screws	11x SK8x240
9	Z581	Screws clamping jaw	4x SK8x160
9.1	Z672	Screws clamping jaw	4 SK 8x240



Mounting instructions

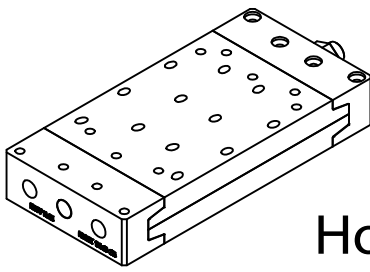
MEGANT® 1090x150x50

Overview customized sizes - only request



This drawing is the exclusive property of Knapp GmbH

Knapp GmbH. All measures in mm - Errors excepted. VERSION 3 27.08.2018

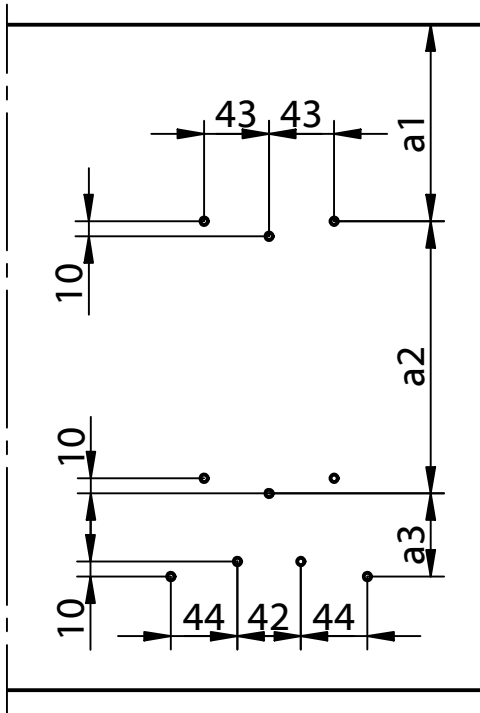


MEGANT® 150x50

Hole pattern for visible central installation

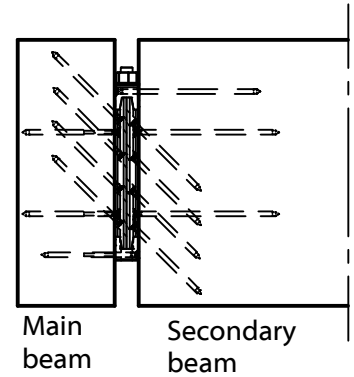
ALU AW 6082

Pre-drill layout in main beam !



Softwood:
10x drillings
Ø 5mm,
depth 30 mm

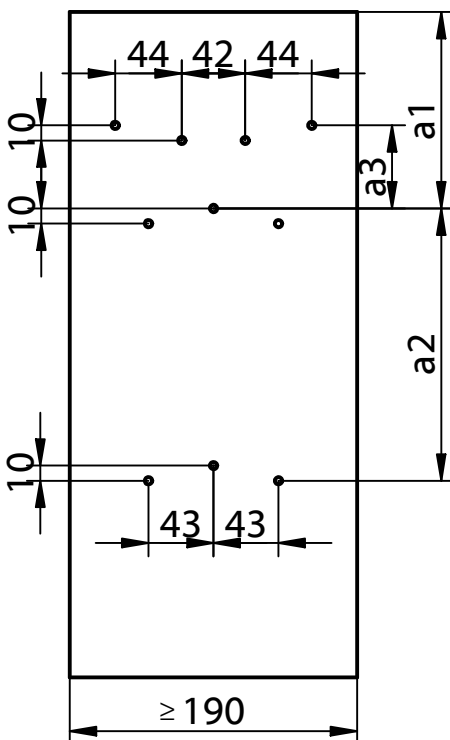
Hardwood:
10x drillings
Ø 6mm,
depth screw
length
~120 mm



Main beam

Secondary beam

Drilling positions for centered mounting in secondary beam !



Softwood:
10x drillings
Ø 5mm,
depth 30 mm

Hardwood:
10x drillings
Ø 6mm,
depth screw
length~120 mm

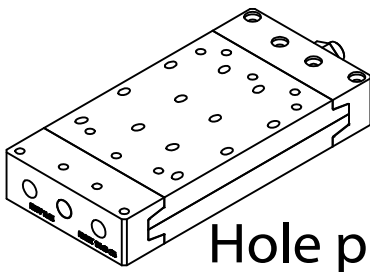
Pre-drilling visible central installation of connector					
Secondary beam	Pre-drill spacings a1 with respect to secondary beam member height H _N (mm)				
Heigth H _N [mm]	MEGANT® 610x150	MEGANT® 730x150	MEGANT® 790x150	MEGANT® 850x150	MEGANT® 1090x150
720	135				
760	155				
800	175				
840	195	120			
880	215	140			
920	235	160	130		
960	255	180	150	120	
1000	275	200	170	140	
1040		220	190	160	
1080		240	210	180	
1160		280	250	220	
1200		300	270	240	120
1240		320	290	260	140
1280		340	310	280	160
1320		360	330	300	180
1360		380	350	320	200
1400		400	370	340	220
1440			390	360	240
1480			410	380	260
1520			430	400	280
1560			450	420	300
1600			470	440	320

Distances	MEGANT® 610x150	MEGANT® 730x150	MEGANT® 790x150	MEGANT® 850x150	MEGANT® 1090x150
a2 [mm]	465	600	660	720	960
a3 [mm]	55	55	55	55	55

MEGANT marking templates for horizontal drilling are available in different sizes upon request.

This drawing is the exclusive property of Knapp GmbH

Knapp GmbH. All measures in mm - Errors excepted. VERSION 3 27.08.2018

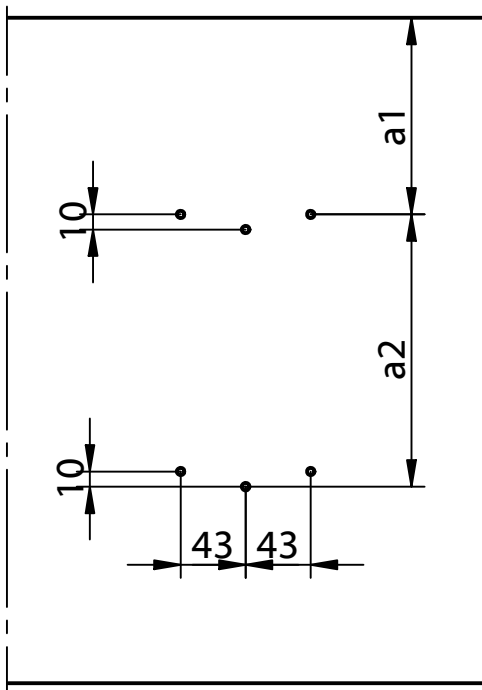


MEGANT® 150x50

Hole pattern for concealed central installation

ALU AW 6082

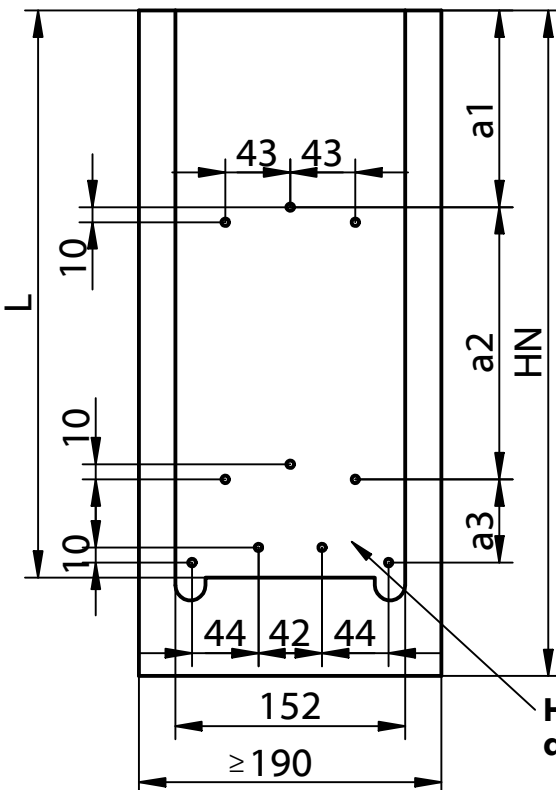
Pre-drill layout in main beam !



Softwood:
6x drillings
Ø 5mm,
depth 30 mm

Hardwood:
6x drillings
Ø 6mm,
depth screw
length ~120 mm

Drilling/routing positions for centered mounting in secondary beam !



Softwood:
10x drillings
Ø 5mm,
depth 30 mm

Hardwood:
10x drillings
Ø 6mm,
depth screw
length~120 mm

**Housing
depth 50 mm**

Pre-drilling <u>concealed central installation</u> of connector					
Secondary beam	Pre-drill spacings a1 with respect to secondary beam member height HN (mm)				
Height HN [mm]	MEGANT® 610x150	MEGANT® 730x150	MEGANT® 790x150	MEGANT® 850x150	MEGANT® 1090x150
720	135				
760	155				
800	175				
840	195	120			
880	215	140			
920	235	160	130		
960	255	180	150	120	
1000	275	200	170	140	
1040		220	190	160	
1080		240	210	180	
1160		280	250	220	
1200		300	270	240	120
1240		320	290	260	140
1280		340	310	280	160
1320		360	330	300	180
1360		380	350	320	200
1400		400	370	340	220
1440			390	360	240
1480			410	380	260
1520			430	400	280
1560			450	420	300
1600			470	440	320

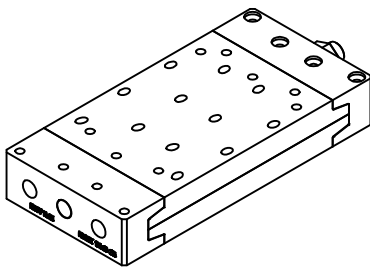
Distances	MEGANT® 610x150	MEGANT® 730x150	MEGANT® 790x150	MEGANT® 850x150	MEGANT® 1090x150
a2 [mm]	465	600	660	720	960
a3 [mm]	55	55	55	55	55

Secondary beam	Housing length L with respect to secondary beam member height HN (mm)				
Height HN [mm]	MEGANT® 610x150	MEGANT® 730x150	MEGANT® 790x150	MEGANT® 850x150	MEGANT® 1090x150
720	665				
760	685				
800	705				
840	725	785			
880	745	805			
920	765	825	855		
960	785	845	875	935	
1000	805	865	895	955	
1040		885	915	975	
1080		905	935	995	
1160		945	975	1035	
1200		965	995	1055	1175
1240		985	1015	1075	1195
1280		1005	1035	1095	1215
1320		1025	1055	1115	1235
1360		1045	1075	1135	1255
1400		1065	1095	1155	1275
1440			1115	1175	1295
1480			1135	1195	1315
1520			1155	1215	1335
1560			1175	1235	1355
1600			1195	1255	1375

MEGANT marking templates for horizontal drilling are available in different sizes upon request.

This drawing is the exclusive property of Knapp GmbH

Knapp GmbH. All measures in mm - Errors excepted. VERSION 3 14.08.2018

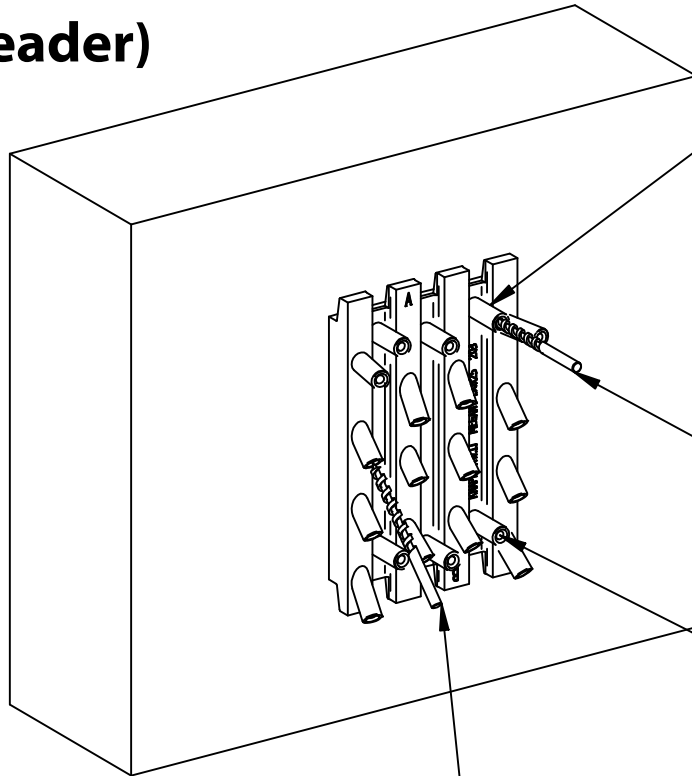


Mounting instructions MEGANT® 150x50

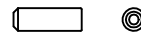
Pre-drill Megant in **Hardwood**

ALU AW 6082

Hardwood main beam: (header)



1.) Plug in Megant-KNAPP-drill-bushing into connector plate !

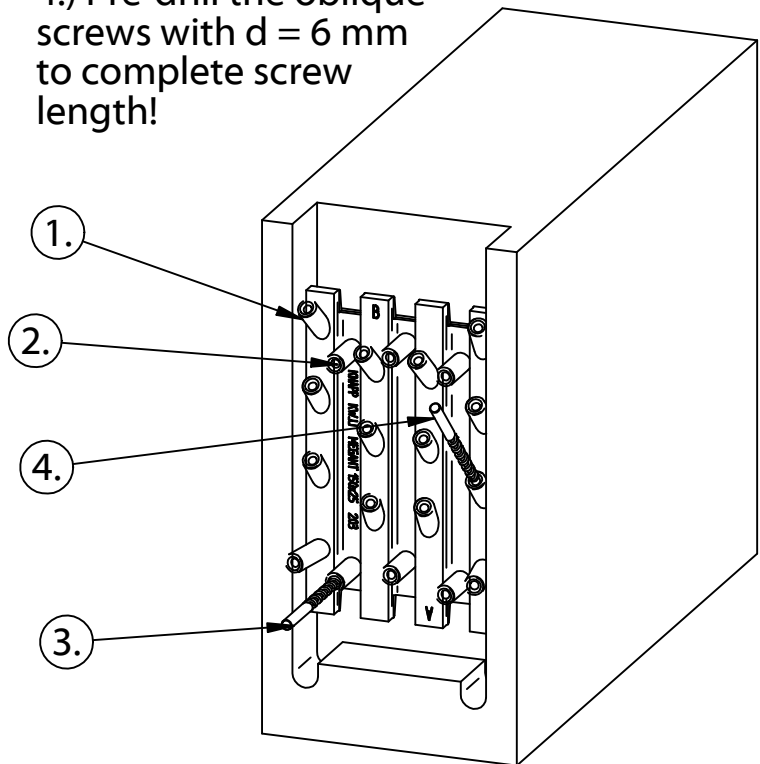


2.) Pre-drill horizontal screws with $d = 6$ mm to complete screw length

3.) Fix the template in the horizontal bore holes

4.) Pre-drill the oblique screws with $d = 6$ mm to complete screw length!

Hardwood secondary beam: (joist)

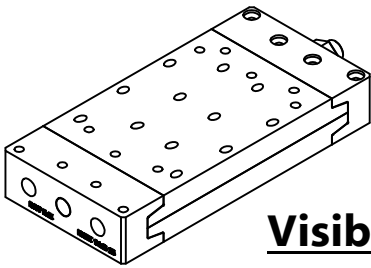


1.

2.

4.

3.

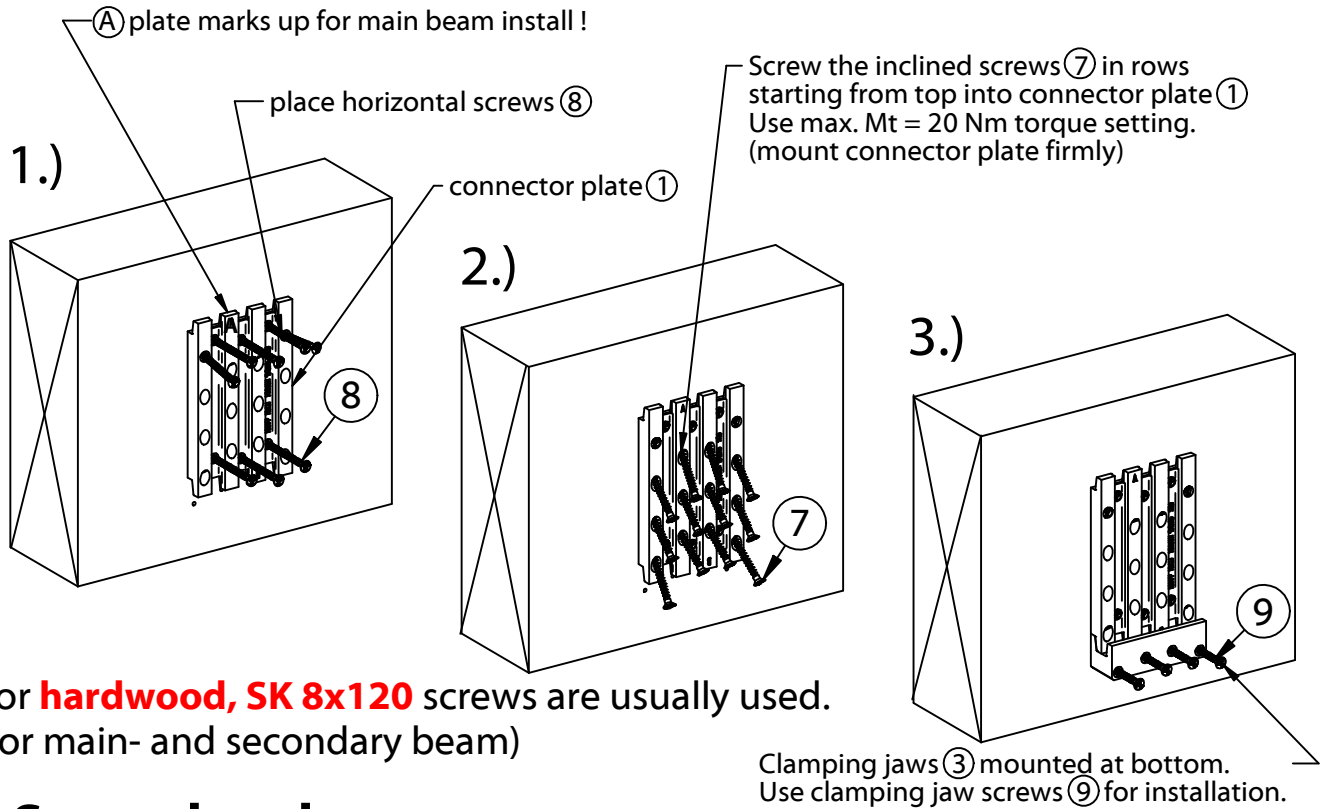


MEGANT® 150x50

Visible Megant installation in main- and secondary beam

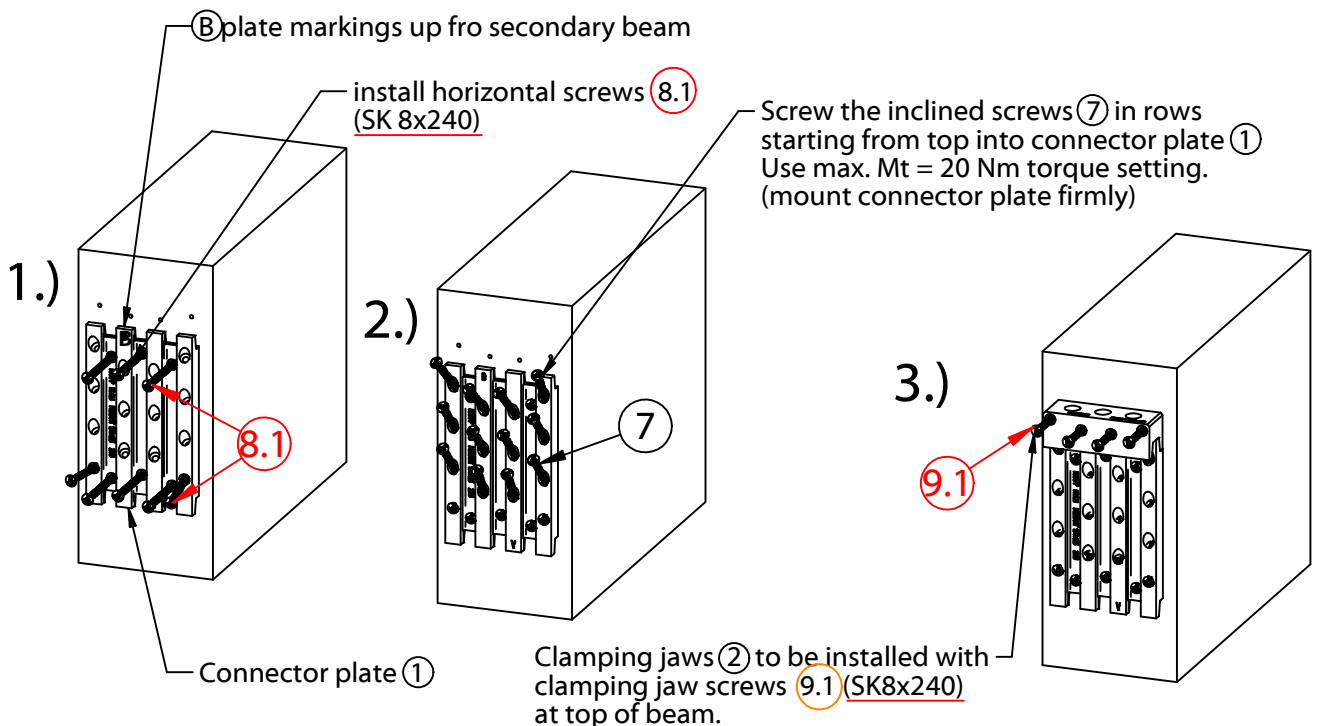
ALU AW 6082

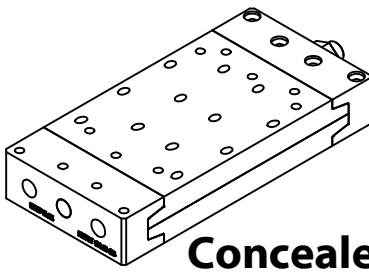
Main beam



For **hardwood**, **SK 8x120** screws are usually used.
(for main- and secondary beam)

Secondary beam



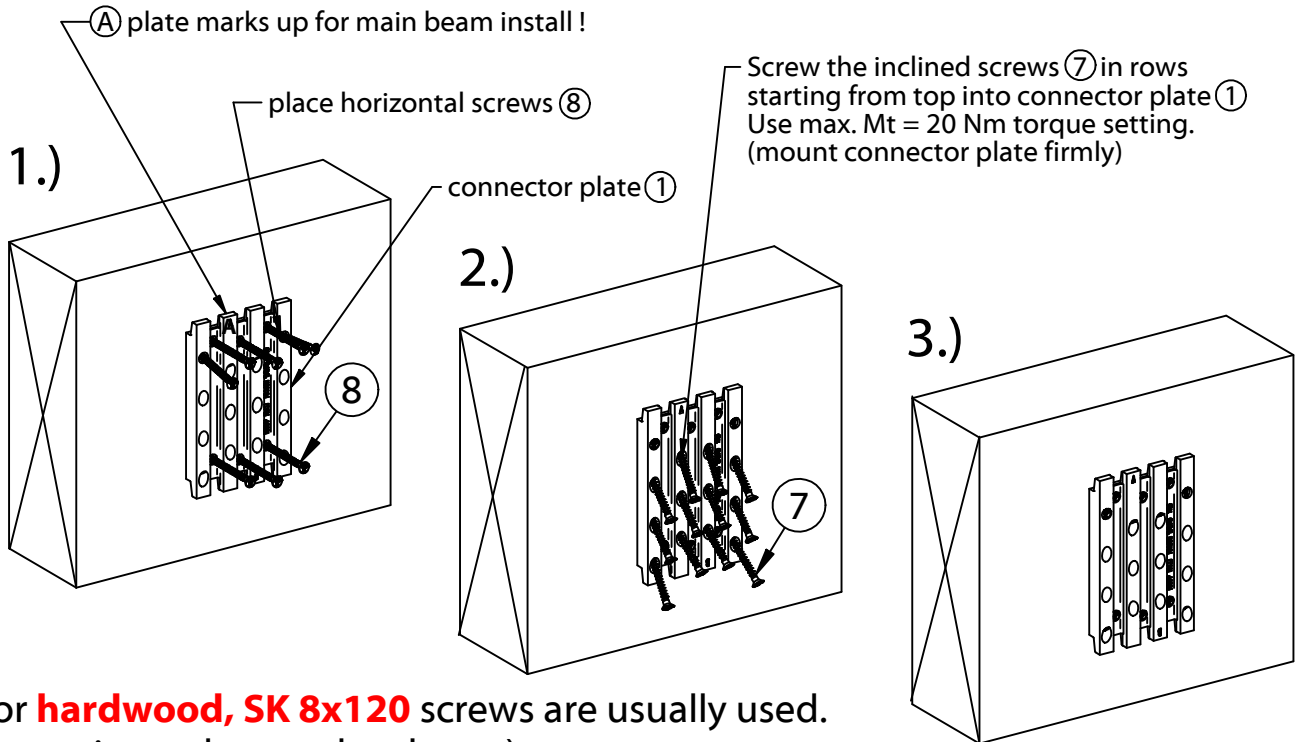


MEGANT® 150x50

Concealed Megant installation in main- and secondary beam

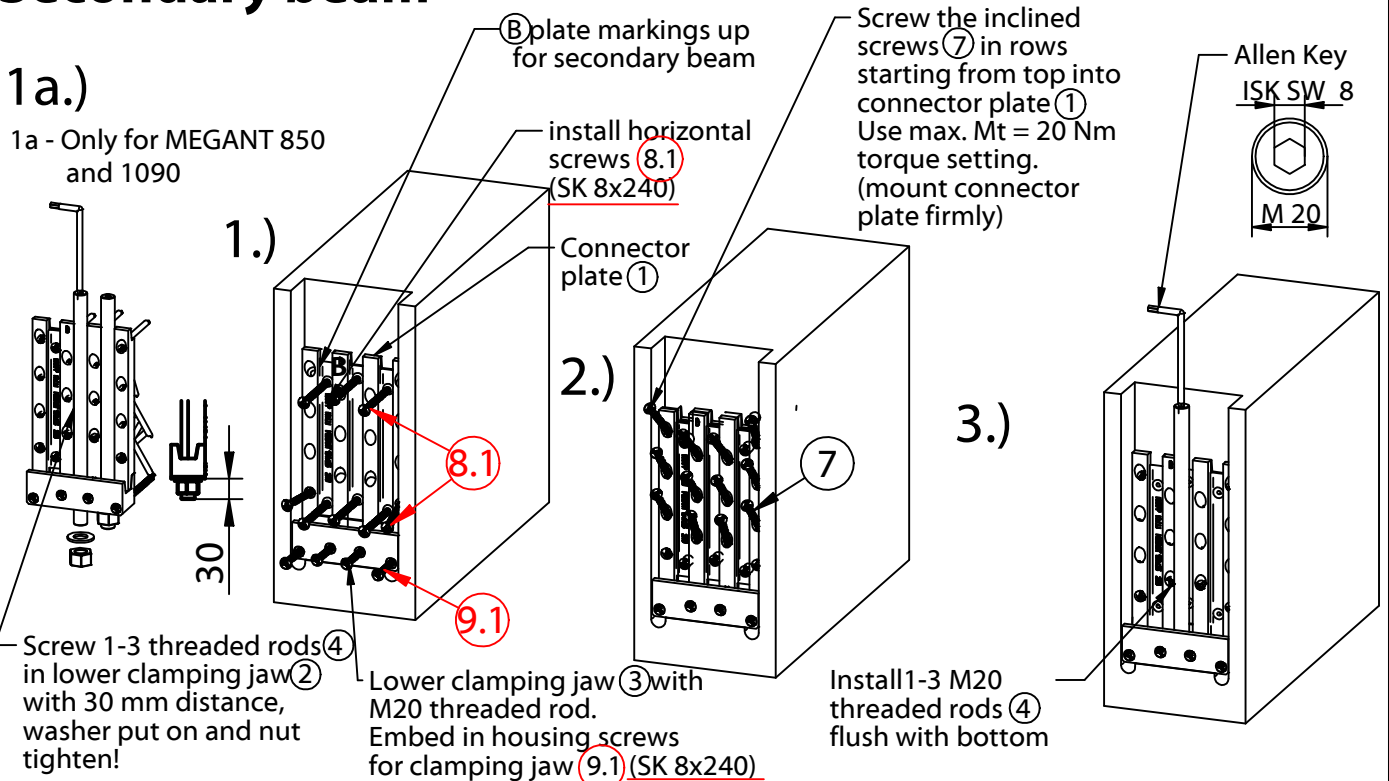
ALU AW 6082

Main beam



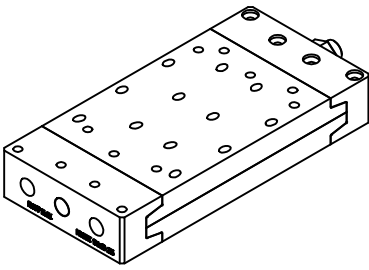
For **hardwood**, **SK 8x120** screws are usually used.
(for main- and secondary beam)

Secondary beam



This drawing is the exclusive property of Knapp GmbH

Knapp GmbH. All measures in mm - Errors excepted. VERSION 3 27.08.2018

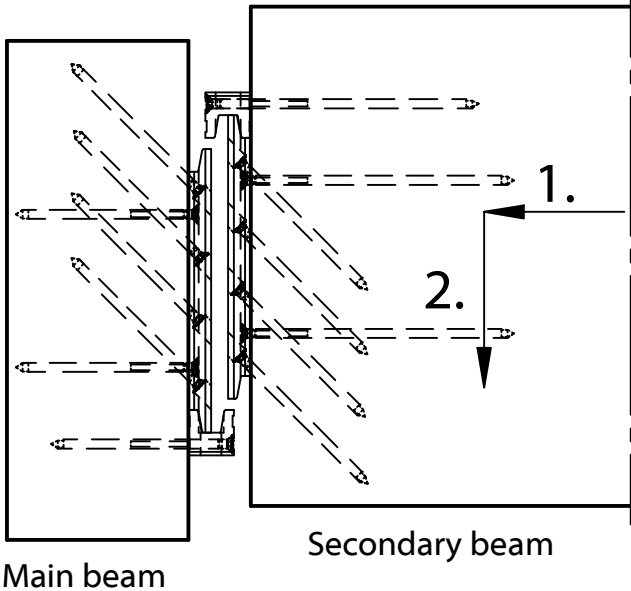


MEGANT® 150x50

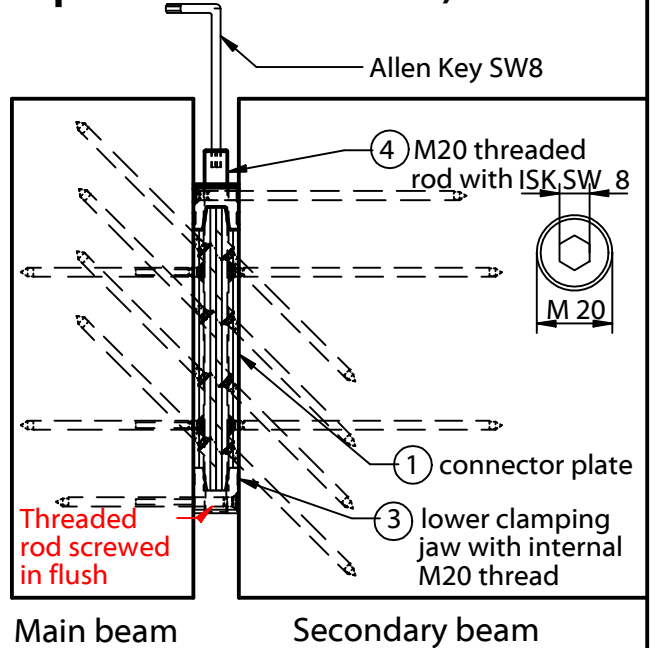
Visible installation

ALU AW 6082

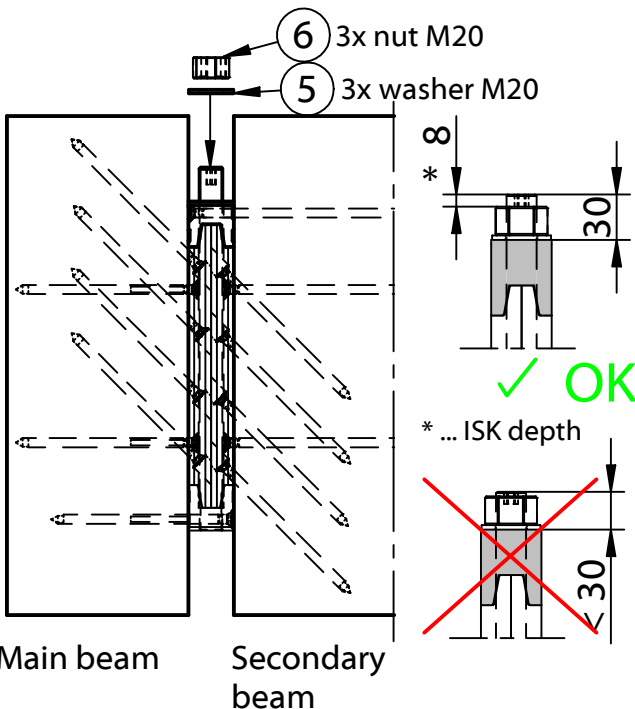
1. Install secondary beam



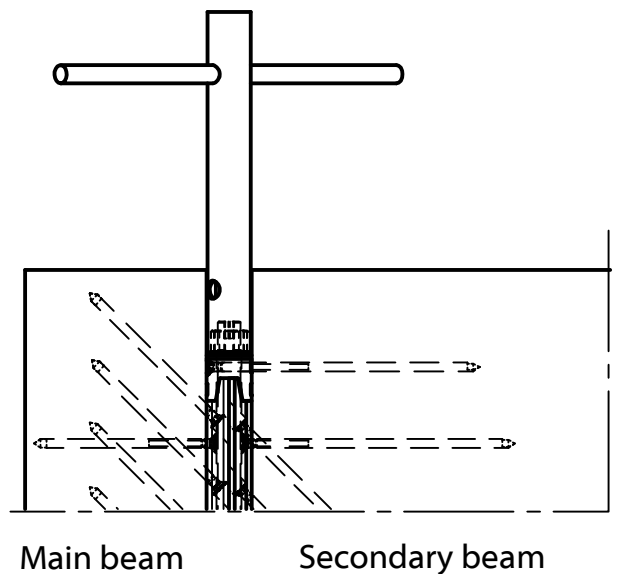
2. Install M20 threaded rod (4) in lower clamping jaw (3) flush (accept sizes 850 and 1090)



3. Install clamping jaw, washer and M 20 nut

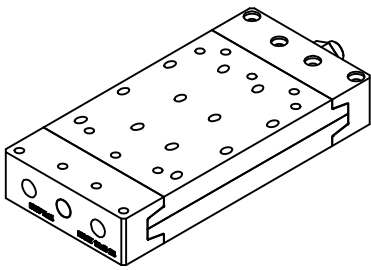


4. Tighten M20 nut with SW 30 wrench (40 Nm)!



This drawing is the exclusive property of Knapp GmbH

Knapp GmbH. All measures in mm - Errors excepted. VERSION 3 27.08.2018



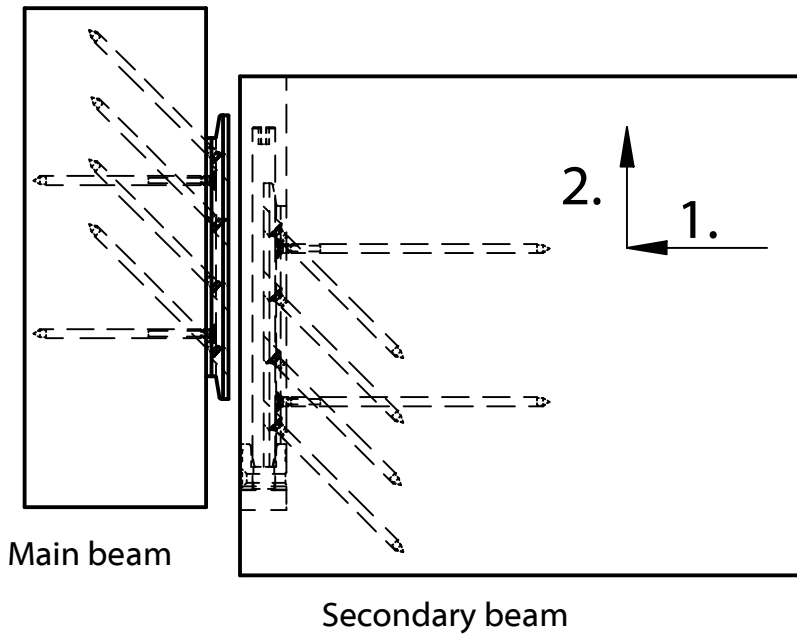
Mounting instructions

MEGANT® 150x50

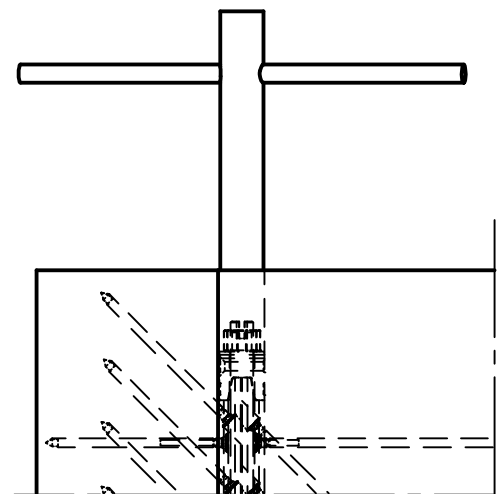
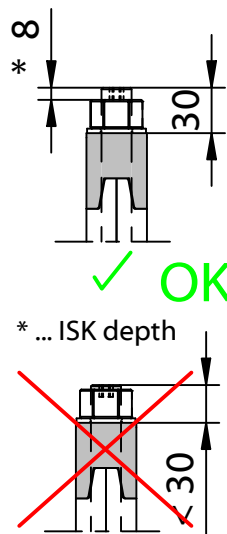
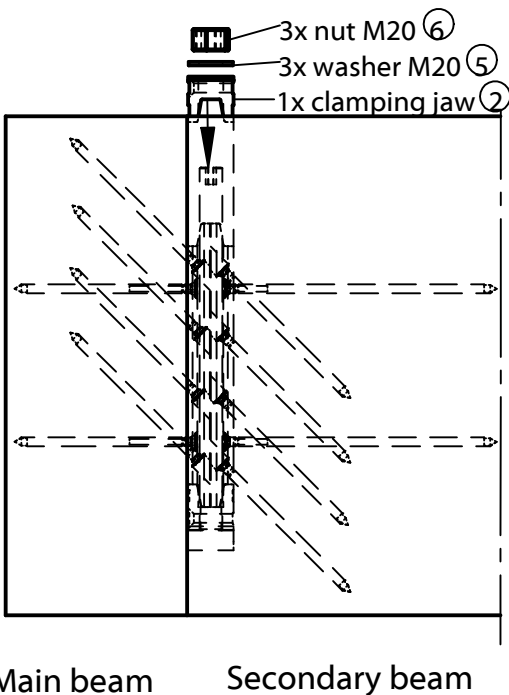
Concealed installation

ALU AW 6082

1. Install from below secondary beam



2. Put on and tighten clamping jaw, washer and M20 nut. Tighten M20 nut with SW 30 wrench (40 Nm)!



This drawing is the exclusive property of Knapp GmbH

Knapp GmbH. All measures in mm - Errors excepted. VERSION 3 27.08.2018